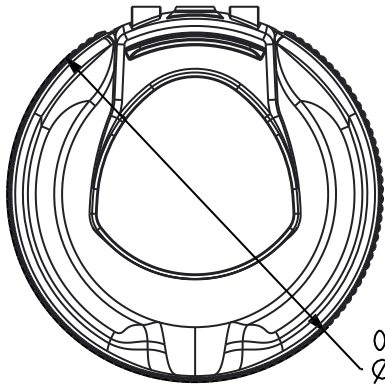


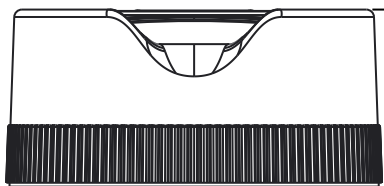
THE BOTTLE NECK DIMENSIONS SHOWN ARE BASED UPON CURRENT KNOWLEDGE. IT IS THE RESPONSIBILITY OF THE RECEIVER OF THE INFORMATION CONTAINED IN THIS DRAWING TO TEST FOR FIT AND FUNCTION OF THE TOTAL PACKAGE. DIMENSIONS SHOWN ARE INTENDED FOR POLYETHYLENE BOTTLES ONLY. IF ANOTHER BOTTLE MATERIAL IS USED, SOME DIMENSIONS AND TOLERANCES MAY REQUIRE ADJUSTMENT.



OUTER DIAMETER
 $\varnothing 1.958 \pm .010$
 [49,73 ± 0,25]

NOTES:

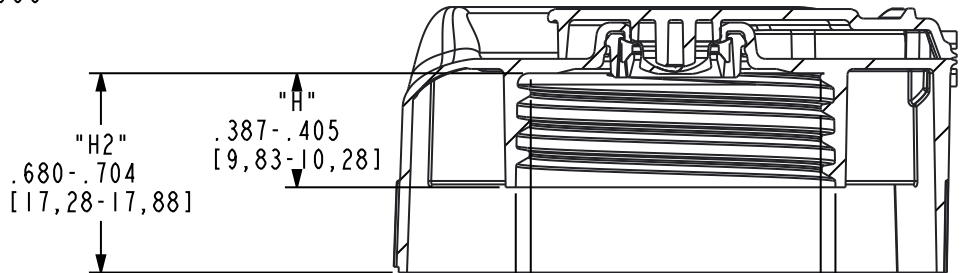
1. THE "T" AND "E" DIAMETERS ARE THE AVERAGE OF TWO MEASUREMENTS TAKEN APPROXIMATELY 90° APART
2. THE "E" DIAMETER IS TAKEN AS CLOSE TO THE INSIDE DECK AS POSSIBLE



OVERALL CLOSED HEIGHT
 .907 - .937
 [23,04 - 23,79]

SCALE 1.000

PROTOTYPE ONLY
 NOT APPROVED FOR PRODUCTION



"H2"
 .680 - .704
 [17,28 - 17,88]

"H"
 .387 - .405
 [9,83 - 10,28]

"E" DIAMETER
 $\varnothing .999 - 1.013$
 [25,38 - 25,73]

"T" DIAMETER
 $\varnothing 1.103 - 1.117$
 [28,02 - 28,37]

SECTION A-A
 SCALE 1.500

REV.	REVISION DESCRIPTION	PROD. ENG.	REV. DATE
-	NEW DRAWING	-	-



CONFIDENTIAL
 Possession of this drawing is an acknowledgement that it and its contents are the exclusive property of Aptar. This drawing may not be reproduced in any form whatsoever nor given to any third party without written permission from Aptar.

TITLE:
 50mm VOLCANO SNAP TOP, 1881 SPECIAL THREAD, FLAT SEAL, FROST AND GLOSS FINISH, AND SIMPLISQUEEZE

DWG. BY: TMM

DATE: 2-OCT-18

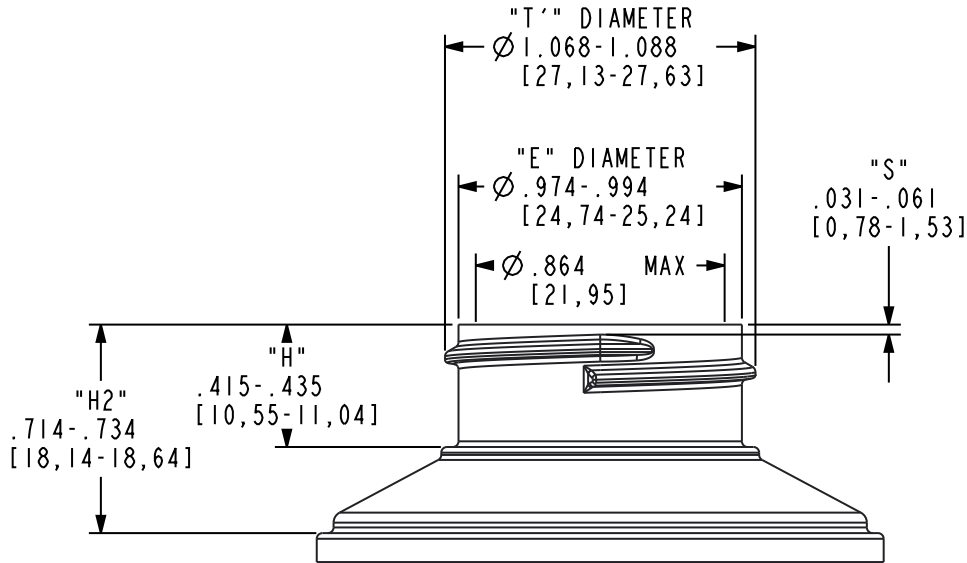
CONFIRM CURRENT REVISION PRIOR TO USE

SHEET 1 OF 2

CUSTOMER SPECIFICATION DRAWING

DWG. NO: CS-2717-2576--

THE BOTTLE NECK DIMENSIONS SHOWN ARE BASED UPON CURRENT KNOWLEDGE. IT IS THE RESPONSIBILITY OF THE RECEIVER OF THE INFORMATION CONTAINED IN THIS DRAWING TO TEST FOR FIT AND FUNCTION OF THE TOTAL PACKAGE. DIMENSIONS SHOWN ARE INTENDED FOR POLYETHYLENE BOTTLES ONLY. IF ANOTHER BOTTLE MATERIAL IS USED, SOME DIMENSIONS AND TOLERANCES MAY REQUIRE ADJUSTMENT.



RECOMMENDED NECK FINISH

LAND MUST BE SMOOTH AND FREE OF GOUGES OR RAGGED EDGES
 MINIMUM ONE TURN OF THREAD
 "M" STYLE THREAD
 9.4 T.P.I.
 PITCH .106 [2,7]

PROTOTYPE ONLY
 NOT APPROVED FOR PRODUCTION

REV.	REVISION DESCRIPTION	PROD. ENG.	REV. DATE
-	SEE SHEET 1 FOR REVISION DESCRIPTION	-	-



CONFIDENTIAL
 Possession of this drawing is an acknowledgement that it and its contents are the exclusive property of Aptar. This drawing may not be reproduced in any form whatsoever nor given to any third party without written permission from Aptar.

TITLE:
 50mm VOLCANO SNAP TOP, 1881 SPECIAL THREAD, FLAT SEAL, FROST AND GLOSS FINISH, AND SIMPLISQUEEZE

DWG. BY: TMM

DATE: 1-OCT-18

CONFIRM CURRENT REVISION PRIOR TO USE

SHEET 2 OF 2

CUSTOMER SPECIFICATION DRAWING

DWG. NO: CS-2717-2576--